

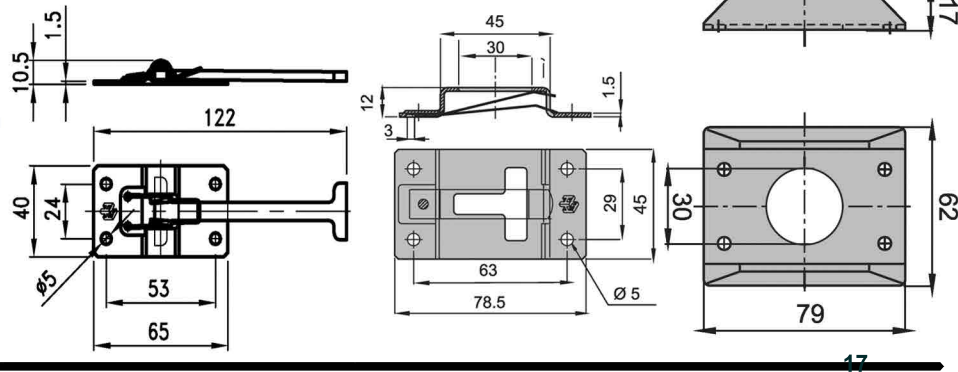
# BODY HARDWARE

## B4

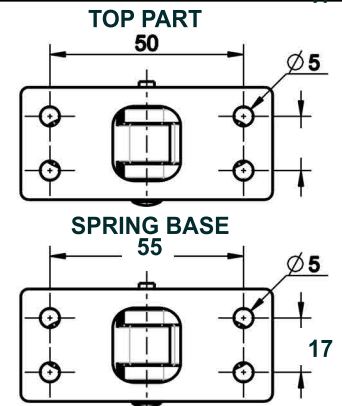
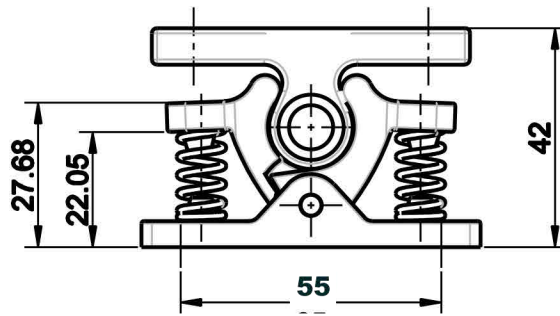
## DOOR HOLD BACKS



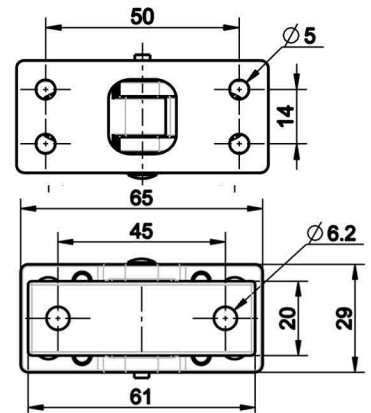
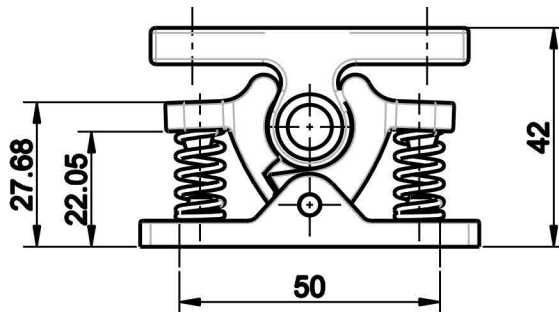
NS0723-10945



NS2132



BH2132



PART NO.	DESCRIPTION
NS0723-10945	Stainless steel door hold back kit. Great for truck and trailer doors hold back.
NS2132	White nylon door hold back. Our NS2132 door hold back has two independently hinged, spring loaded claws that tightly grip the catch tightly. They're independent actions make this durable product last much longer than most snap in hold backs where the one piece plastic claw must give way for the catch.
BH2132	Cast steel claw zinc plated door hold back. Our BH2132 door hold back has two independently hinged, stainless steel spring loaded claws that grip the catch tightly. Their independent actions make this durable product last much longer than most snap in hold backs where the one piece claw must give way for the catch.



**I.R.S.**  
Build With Quality

RUBBER  
HARDWARE  
TAPES  
SEALANTS

1300 767 567

www.indrub.com.au