

LOCKS & HANDLES

C4

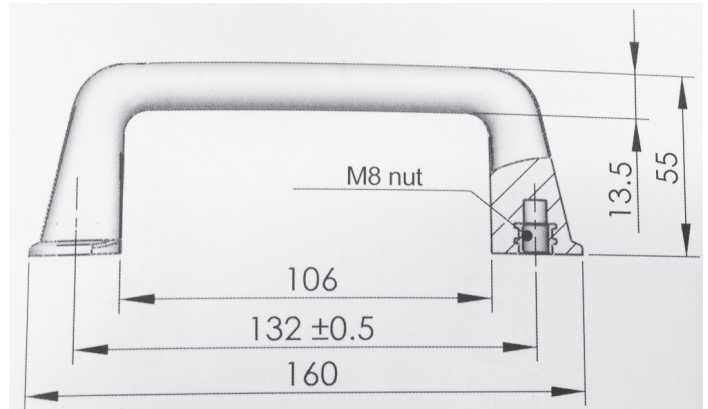
PLASTIC HANDLES



EBAE1-30357



NS505



AS-EP-02150



PART NO.	DESCRIPTION	WIDTH (MM)
EBAE1-30357	Handle 168mm black polyprop pull handle.	168mm hole centre to hole centre
NS505	Black plastic formed handle with cast M8 thread	132mm hole centre to hole centre
AS-EP-02150	Plastic grab handle 150mm center to center (orange)	150mm hole centre to hole centre
AS-EP-02150b	Plastic grab handle 150mm center to center (black)	150mm hole centre to hole centre



I.R.S.
Build With Quality

RUBBER
HARDWARE
TAPES
SEALANTS

1300 767 567

www.indrub.com.au